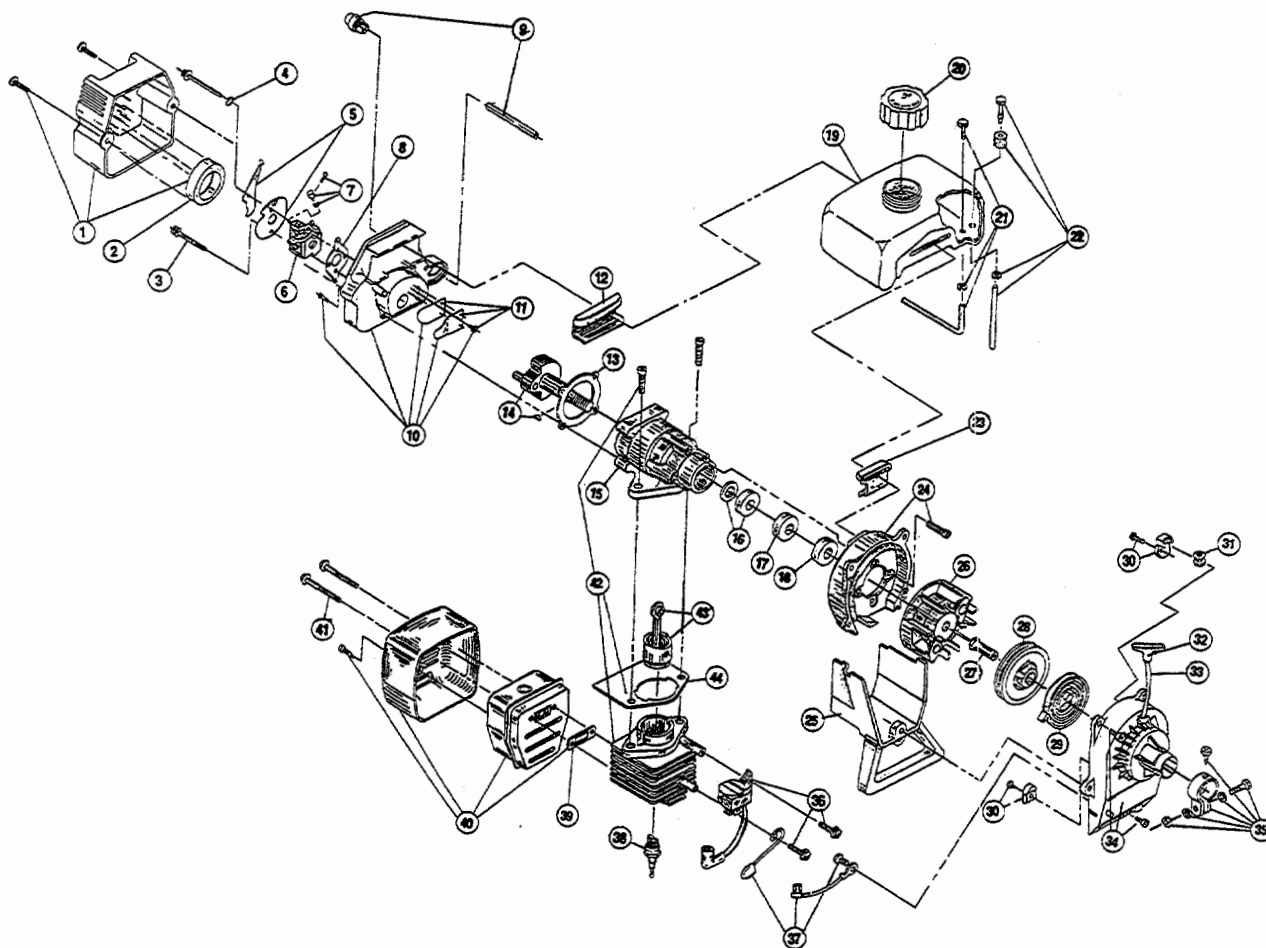


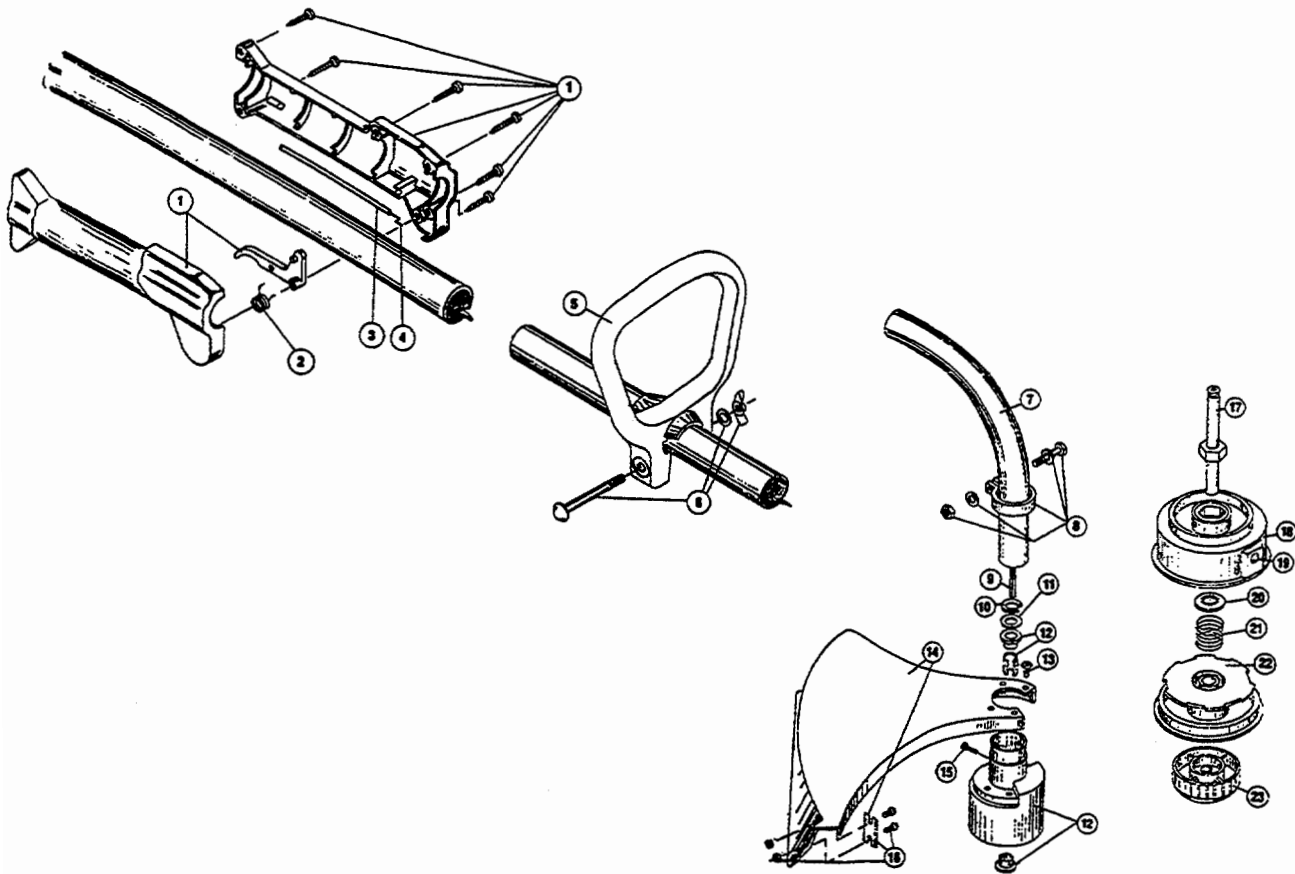
ENGINE PARTS - IDC 364



Item	Part No.	Description	Item	Part No.	Description
1	180349	Carburetor/Air Cleaner Cover Assembly (includes item 2)	31	611061	Rope Guide
2	180350	Air Cleaner Filter	32	610300	Pull Handle
3	180351	Carburetor Mounting Screw Assembly	33	613103	Rope
4	180352	Wavey Washer	34	180299	Starter Housing Assembly
5	180353	Choke Lever and Plate	35	153597	Upper Clamp Assembly
6	147572	Carburetor Assembly	36	683390	Module Assembly
7	682048	Throttle Adjustment Assembly (Walbro)	37	153611	Switch Assembly
7	147640	Throttle Adjustment Assembly (Tillotson)	38	610311	Spark Plug
8	610675	Carburetor Gasket (10 pack)	39	610672	Exhaust Gasket (10 pack)
9	683974	Primer Hose and Assembly	40	180119	Muffler Assembly (includes items 39 and 41)
10	180354	Carburetor Mount Assembly	41	147575	Muffler Mounting Bolt Assembly
11	147573	Reed Assembly	42	147598	Cylinder Assembly
12	612134	Rear Mounting Pad	43	180001	Piston and Rod Assembly
13	612115	Carburetor Mount Gasket (10 pack)	44	145564	Cylinder Gasket (10 pack)
14	180002	Power Shaft Assembly	*	180012	Engine Hardware Kit
15	180009	Crankcase Service Assembly (items 14-18)	*	180011	Engine Gasket Kit
16	682041	Inner Bearing Assembly	*	153308	O.E.M. Carburetor Repair Kit (Walbro)
17	610309	Seal	*	147170	O.E.M. Carburetor Repair Kit (Tillotson)
18	610308	Outer Bearing Assembly	*	153309	Gasket Diaphragm Repair Kit (Walbro)
19	180298	Fuel Tank Assembly (includes items 20-22)	*	147171	Gasket Diaphragm Repair Kit (Tillotson)
20	180000	Fuel Cap Assembly	*	180013	Piston Ring
21	147290	Return Line Assembly	*	180010	Short Ellock Assembly (items 14-18, 38, 42-44)
22	682039	Fuel Line Assembly	*	610676	Flywheel Key (10 pack)
23	145308	Front Mounting Pad	*	147544	Starter Housing Screw Set
24	153520	Shroud Assembly	*	not shown	
25	683078	Shroud Extension and Stand			
26	153624	Flywheel Assembly			
27	610303	Square Drive Nut			
28	683856	Recoil Pulley Assembly			
29	613102	Recoil Spring			
30	153644	Pulley Retainer Assembly			

The above part numbers are for serial numbers 203096321 and greater.

BOOM & TRIMMER PARTS - IDC 364



Item	Part No.	Description
1	180277	Throttle Housing and Trigger Assembly
2	610314	Throttle Trigger Spring
3	147594	Throttle Cable Housing
4	610315	Throttle Cable
5	145819	D-Handle
6	153523	D-Handle Hardware Assembly
7	180094	Drive Shaft Housing Assembly
8	153597	Lower Clamp Assembly
9	682064	Flexible Drive Shaft
10	145570	Retaining Ring
11	145567	Washer
12	153312	Bushing Housing Assembly
13	153318	Guard Mounting Screw Assembly
14	147593	Guard and Blade Assembly
15	145569	Anti-Rotation Screw
16	682061	Blade Assembly
17	153313	Spool Shaft

Item	Part No.	Description
18	153619	Outer Spool and Eyelet Assembly
19	145566	Eyelet
20	610660	Retainer (10 pack)
21	610317	Spring
22	153600	Inner Reel
23	153066	Bump Head Knob Assembly

Optional Accessories

- 610375 Monofil Cutting Line, 50 ft.
- 153577 Spool and Line (30 ft.) Assembly
- 682075 Shoulder Strap Assembly
- 147541 IDC or Ryobi 2-Cycle Oil (4 oz. can)
- 147823 Complete Cutting Head Assembly (8-23)
- not shown